

FOXY R, YELLOW/BLUE, 2021

obj. č.: 010.21077



Specyfikacje techniczne

produkowane rozmiary

S 380mm / M 420mm / L 470mm / XL 510mm

waga

14,8 Kg

rama

Foxy 29 6061 Alloy Stealth Evo, hydroformed tubing, Zero Suspension System, 150mm travel, Forward Geometry, one piece Monoblock upper link, Boost 12x148mm rear axle, tapered head tube, 73mm BSA bottom bracket, dedicated 1x drivetrain design, telescopic seatpost internal routing, MAX capacity sealed bearings, ISCG 05

widelec

Fox 36 29 Float FIT GRIP EVOL Performance, 160mm, tapered steerer tube, Boost 15x110mm axle, offset 44mm. Settings: 3 positions with micro adjust compression, low-speed rebound, air preload

stery

Onoff Saturn tapered for 1-1/8 to 1-1/2 head tube, ACB sealed bearings, top 41x30.2x7x45x45, bottom 51.9x40x8x45x45

przerzutka

Shimano XT M8100, SGS, Shadow+, 12s

manetki

Shimano Deore M6100, Rapid Fire Plus, 12s

klamki hamulca

Sram G2 RS, SwingLink, tool-free reach adjust

uchwyty

Shimano XT M-8120 Boost, Hollowtech II, Q-factor 178mm, S/M size: 170mm, L/XL size: 175mm

support

Shimano Deore BB52 BSA, 68/73mm

kierownica

Onoff Sulfur 1.0 double butted 6061 alloy, rise: 20mm, width: 780mm, 9 backsweep, 5° upsweep, 31.8mm barbare Onoff Twin, 1lock-on, 135mm

mostek

Onoff Sulfur FG 30mm 0, 6061 forged alloy, 31.8mm barbare

szttyca

Onoff Pija dropper internal, diameter 31.6mm, S size: 337x100mm, M size 387x125mm, L size: 425x150mm, XL size: 465x170mm

siodełko

SDG BEL-AIR 3.0, LPU foam, steel rails

piasta przednia

DT 370, Boost 15x110mm, IS 6 bolts

tylna piasta

DT 370, Boost 12x148mm, 3 Pawl system, IS 6 bolts, MS freehub

łańcuch

Shimano Deore M6100, 12s, Quick-link

kaseta

Shimano SLX M7100, 10-51T Hyperglide+, 12s

szprychy

DT Champion, straightpull

rafki

DT Swiss E1900 Spline 29, 30mm internal width, sleeved aluminum, tubeless ready, 28 spokes

obudowa

Maxxis Minion DHF 29x2.5 WT, tubeless ready, 3C MAXX TERRA compound, EXO+ protection, 120TPI, folding bead

zamówienie numer

010.21077

amortyzator

Fox Float DPX2 LV EVOL Performance, 205x62.5mm. Settings: compression 3 positions lever, low-speed rebound, air preload. Trunnion top mount, 22.2x10mm bottom bushings

przedni hamulec

Sram G2 RS, 4-piston caliper, Centerline 200mm IS 6 bolts one-piece rotor, steel-backed organic pads

tylny hamulec

Sram G2 RS, 4-piston caliper, Centerline 180mm IS 6 bolts one-piece rotor, steel-backed organic pads

tylna obudowa

Maxxis Aggressor 29x2.3, tubeless ready, dual compound, Exo protection, 60TPI, folding bead

regulacja amortyzatora

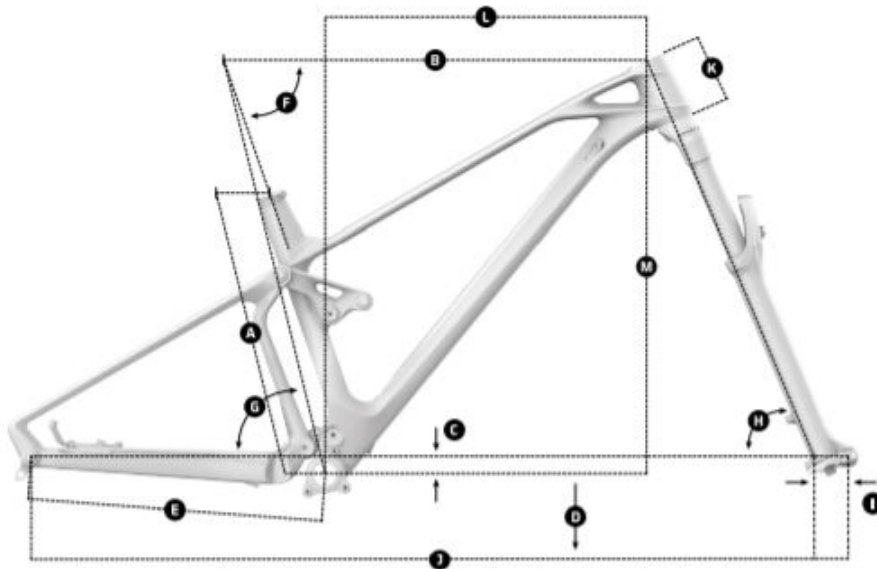
Light compression, extralight rebound, air volume spacer 0.6

korba

32T, CNC-machined alloy

mocowanie przerzutki

Mondraker M068

Geometria**GEOMETRY**

Size	S	M	L	XL
A Seat Tube Length	380 mm	420 mm	470 mm	510 mm
B Top Tube Length	606 mm	629 mm	654 mm	678 mm
C Bottom Bracket Drop	-21 mm	-21 mm	-21 mm	-21 mm
D Bottom Bracket Height	352 mm	352 mm	352 mm	352 mm
E Chainstay Legth	435 mm	435 mm	435 mm	435 mm
F Seat Tube Angle, Actual	70.5°	70.5°	70.5°	70.5°
G Seat Tube Angle, Effective	75.5°	75.5°	75.5°	75.5°
H Head Tube Angle	66°	66°	66°	66°
I Fork Offset	44 mm	44 mm	44 mm	44 mm
J Wheelbase	1187 mm	1210 mm	1236 mm	1262 mm
K Head Tube Length	90 mm	100 mm	115 mm	130 mm
L Reach	450 mm	470 mm	490 mm	510 mm
M Stack	605 mm	614 mm	628 mm	642 mm