

# DUSK R, BLACK/GREEN/YELLOW, 2021

obj. č: 010.21296



Sugerowana cena

**26.999,00 zł**

Aktualna cena

**23.999,00 zł**

## Specyfikacje techniczne

### produkowane rozmiary

S 380mm / M 420mm / L 450mm / XL 490mm

### waga

23,6 Kg

### rama

Dusk 6061 Alloy Stealth Evo, e-Bike Optimized Zero Suspension System, 150mm travel, Forward Geometry, integrated internal non-removable battery, Boost 12x148mm rear axle, tapered head tube, one-piece Monoblock upper link, HHG internal cable routing, MAX capacity sealed bearings, oversize 17mm axles, integrated dropout speed sensor.\*Optional external battery

### widelec

Fox 36 29 Float FIT GRIP EVOL Rhythm, 160mm, e-bike tuned, tapered steerer tube, Boost 15x110mm axle, 44mm offset. Settings: sweep adjust compression, low-speed rebound, air preload

### stery

Onoff Saturn tapered for 1-1/8 to 1-1/2 head tube, ACB sealed bearings, top 41x30.2x7x45x45, bottom 51.9x40x8x45x45

### przerzutka

Shimano Deore M6100, SGS, Shadow+, 12s

### manetki

Shimano Deore M6100, Rapid Fire Plus, 12s

### klamki hamulca

Shimano M4100, servo wave, alloy lever, tooled reach adjust

### uchwyty

Shimano STEPS EM600, 165mm

### kierownica

Onoff Sulfur 1.0 double butted 6061 alloy, rise: 20mm, width: 780mm, 9 backsweep, 5 upsweep, 31.8mm barbore Onoff Twin, 1lock-on, 135mm

### mostek

Onoff Sulfur FG 30mm 0, 6061 forged alloy, 31.8mm barbore

### szttyca

Onoff Pija dropper internal, diameter 31.6mm, S size: 387x125mm, M size: 425x150mm, L/XL size: 465x170mm

**siodełko**

Mondraker e-MTB custom design

**piasta przednia**

Formula DC711, Boost 15x110mm, sealed bearings, IS 6 bolts

**tylna piasta**

Formula EHL148 Boost 12x148mm, sealed bearings, IS 6 bolts

**łańcuch**

Shimano Deore M6100, 12s, Quick-link

**kaseta**

Shimano Deore M6100, 10-51T Hyperglide+, 12s

**szprychy**

CN round stainless steel

**rafki**

MDK-HP1 29, 30mm internal width, tubeless ready, 32 spokes

**obudowa**

Maxxis Rekon 29x2.6, tubeless ready, dual compound, EXO protection, 60TPI, folding bead

**zamówienie numer**

010.21296

**amortyzator**

Fox Float DPS LV EVOL Performance, 205x65mm. Settings: Compression 3 positions lever, low-speed rebound, air preload. Trunnion top mount, 25x10mm bottom bushings

**przedni hamulec**

Shimano MT420, 4 piston caliper, RT66 203mm IS 6 bolts rotor, resin pads

**tylny hamulec**

Shimano MT420, 4 piston caliper, RT66 203mm IS 6 bolts rotor, resin pads

**tylna obudowa**

Maxxis Rekon 29x2.6, tubeless ready, dual compound, EXO protection, 60TPI, folding bead

**regulacja amortyzatora**

Medium compression, Medium rebound, 0.4 volume spacer

**korba**

Shimano E8000 34T, steel, 104 BCD

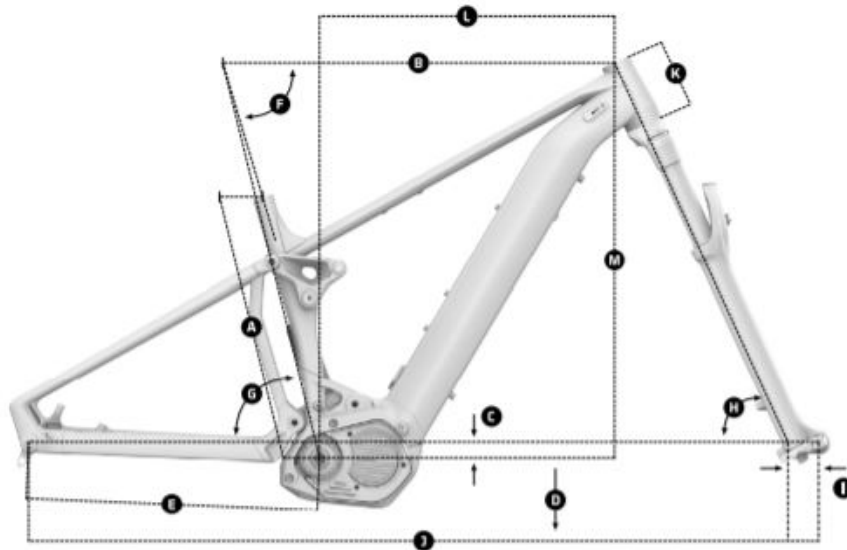
**mocowanie przrzutki**

Mondraker M068

**silnik + akumulator**

Shimano STEPS EP800, computer Shimano STEPS E7000, Simplo internal 630Wh, Optional external battery: Simplo 360Wh

**Geometria**



## GEOMETRY

Size	S	M	L	XL
<b>A</b> Seat Tube Length	380 mm	420 mm	450 mm	490 mm
<b>B</b> Top Tube Length	605 mm	625 mm	650 mm	670 mm
<b>C</b> Bottom Bracket Drop	-25 mm	-25 mm	-25 mm	-25 mm
<b>D</b> Bottom Bracket Height	350 mm	350 mm	350 mm	350 mm
<b>E</b> Chainstay Legth	455 mm	455 mm	455 mm	455 mm
<b>F</b> Seat Tube Angle, Actual	73.5°	73.5°	73.5°	73.5°
<b>G</b> Seat Tube Angle, Effective	76°	76°	76°	76°
<b>H</b> Head Tube Angle	65.5°	65.5°	65.5°	65.5°
<b>I</b> Fork Offset	44 mm	44 mm	44 mm	44 mm
<b>J</b> Wheelbase	1225 mm	1245 mm	1265 mm	1285 mm
<b>K</b> Head Tube Length	110 mm	110 mm	130 mm	130 mm
<b>L</b> Reach	450 mm	470 mm	490 mm	510 mm
<b>M</b> Stack	622 mm	622 mm	640 mm	640 mm