

CRAFTY R, BLACK/WHITE, 2021

obj. č: 010.21241



Specyfikacje techniczne

produkowane rozmiary

S 380mm / M 420mm / L 450mm / XL 490mm

waga

24,9 Kg

rama

Crafty 6061 Alloy Stealth Evo, e-Bike Optimized Zero Suspension System, 150mm travel, Forward Geometry, internal removable battery with integrated alloy cover, Boost 12x148mm rear axle, tapered head tube, one-piece Monoblock upper link, HHG internal cable routing, MAX capacity sealed bearings, oversize 17mm axles, integrated dropout speed sensor, exclusive plastic motor covers.

widelec

Fox 38 29 Float FIT GRIP EVOL Performance, 160mm, e-bike tuned, tapered steerer tube, Boost 15x110mm axle, 44mm offset. Settings: 3 positions with micro adjust compression, low-speed rebound, air preload

stery

Onoff Saturn tapered for 1-1/8 to 1-1/2 head tube, ACB sealed bearings, top 41x30.2x7x45x45, bottom 51.9x40x8x45x45

przerzutka

Sram GX Eagle, Type 3 roller bearing clutch, cage lock, 1x12s, X-Actuation 1:1

manetki

Sram Trigger NX Eagle, 12s, X-Actuation 1:1, single click

klamki hamulca

Sram G2 R, tool-free reach adjust

uchwyty

Race Face Aeffect ebike, 165mm

kierownica

Onoff Sulfur 1.0 double butted 6061 alloy, rise: 20mm, width: 780mm, 9 backsweep, 5 upsweep, 31.8mm barbore Onoff Desert, 1lock-on, 135mm, sizes: S/M L/XL

mostek

Onoff Sulfur FG 30mm 0, 6061 forged alloy, 31.8mm barbore

sztyca

Onoff Pija dropper internal, diameter 31.6mm, S size: 387x125mm, M size: 425x150mm, L/XL size: 465x170mm

siodełko

SDG BEL-AIR 3.0, EVA foam, steel rails

piasta przednia

DT 370, Boost 15x110mm, IS 6 bolts

tylna piasta

DT 370, Boost 12x148mm, 3 Pawl system, IS 6 bolts

łańcuch

Sram SX Eagle, 12s, Powerlock

kaseta

Sram PG-1210, 11-50T, 12s

szprychy

DT Hybrid SP, straightpull

rafki

DT Swiss H1900 Spline 29, 30mm internal width, sleeved aluminum, tubeless ready, 28 spokes

obudowa

Maxxis Minion DHF 29x2.6, tubeless ready, 3C MAXX TERRA, EXO+ Protection, 120TPI, folding bead

zamówienie numer

010.21241

amortyzator

Fox Float DPX2 LV EVOL Performance, 205x65mm. Settings: compression 3 positions lever, low-speed rebound, air preload. Trunion top mount, 25x10mm bottom bushings

przedni hamulec

Sram G2 R, 4-piston caliper, Centerline 200mm IS 6 bolts one-piece rotor, steel-backed organic pads

tylny hamulec

Sram G2 R, 4-piston caliper, Centerline 200mm IS 6 bolts one-piece rotor, steel-backed organic pads

tylna obudowa

Maxxis Minion DHR II 29x2.6, tubeless ready, 3C MAXX TERRA, EXO+ Protection, 120TPI, folding bead

regulacja amortyzatora

CEC001 compression, Medium rebound, 0.2 volume spacer

korba

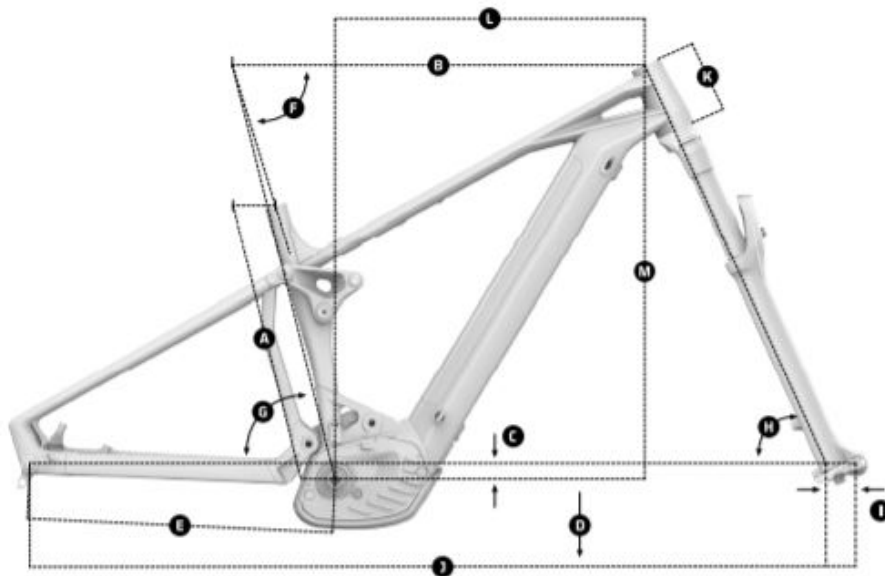
Sram X-Sync 2 Eagle 34T, steel, narrow-wide, 104 BCD

mocowanie przerzutki

Mondraker M068

silnik + akumulator

Bosch Performance Line CX Cruise (25Km/h) GEN4, computer Bosch Kiox, Bosch Powertube 625Wh

Geometria**GEOMETRY**

Size	S	M	L	XL
A Seat Tube Length	380 mm	420 mm	450 mm	490 mm
B Top Tube Length	605 mm	625 mm	650 mm	670 mm
C Bottom Bracket Drop	-25 mm	-25 mm	-25 mm	-25 mm
D Bottom Bracket Height	350 mm	350 mm	350 mm	350 mm
E Chainstay Length	455 mm	455 mm	455 mm	455 mm
F Seat Tube Angle, Actual	73.5°	73.5°	73.5°	73.5°
G Seat Tube Angle, Effective	76°	76°	76°	76°
H Head Tube Angle	65.5°	65.5°	65.5°	65.5°
I Fork Offset	44 mm	44 mm	44 mm	44 mm
J Wheelbase	1225 mm	1245 mm	1265 mm	1285 mm
K Head Tube Length	110 mm	110 mm	130 mm	130 mm
L Reach	450 mm	470 mm	490 mm	510 mm
M Stack	622 mm	622 mm	640 mm	640 mm